

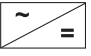




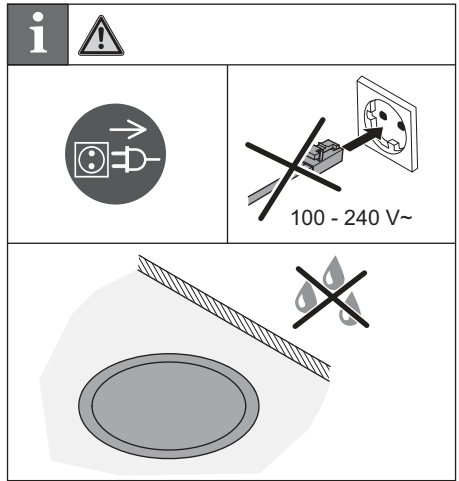
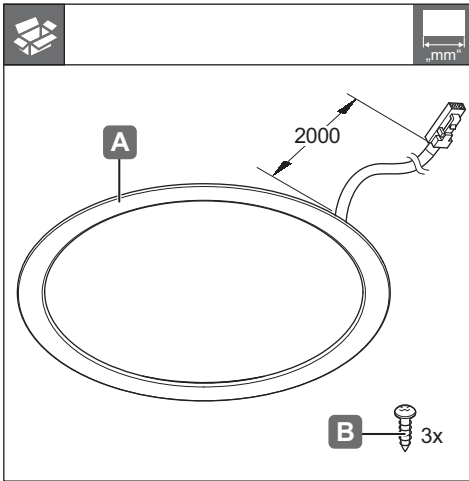
LED 3022
LED 3023

833.75.100
833.75.101

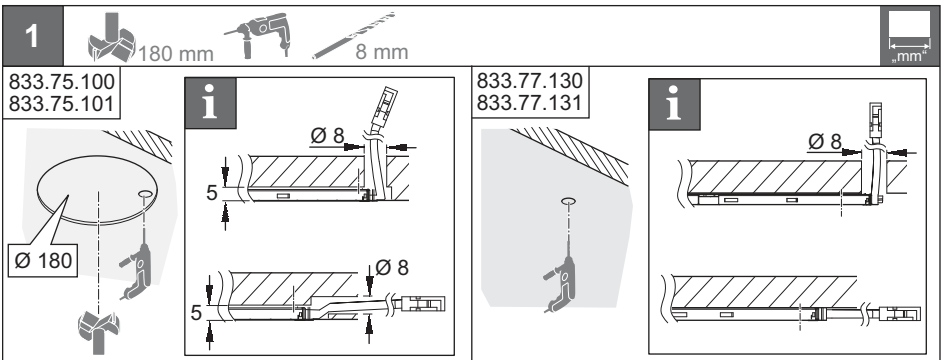
833.77.130
833.77.131

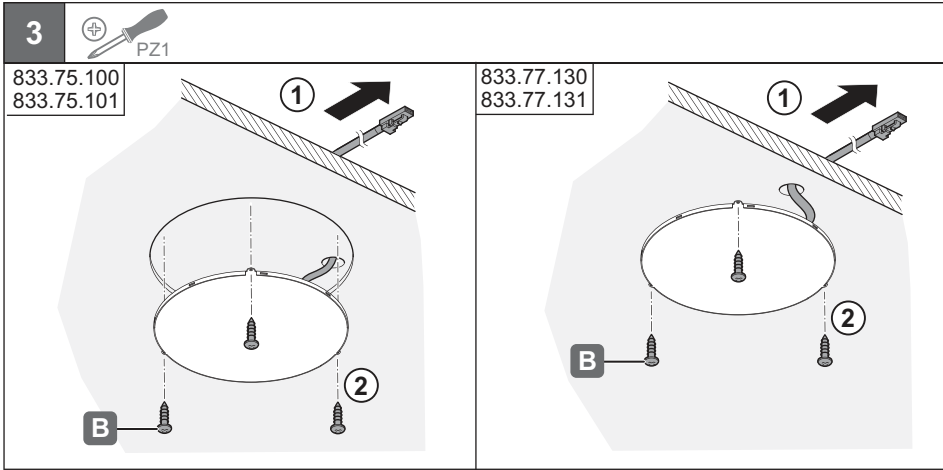
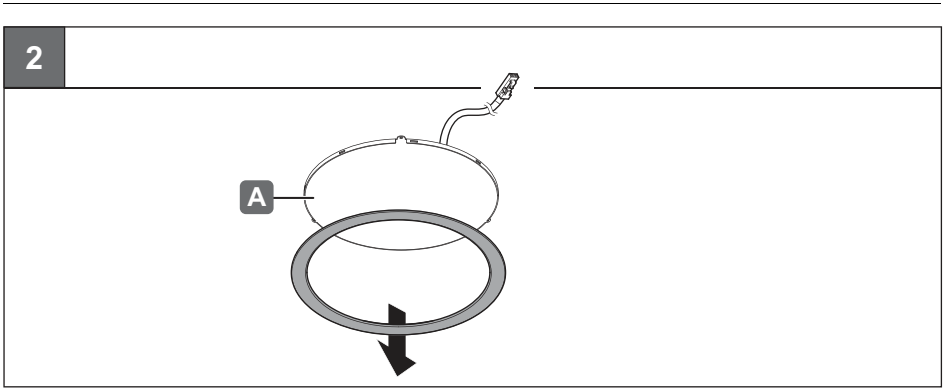
| 24 V System | K | W | T _A |  mm |  mm |  |
|-------------|--------|-------|-----------------------------------|--|--|--|
| 833.75.100 | 3000 K | 4.8 W | -20 °C – +35 °C -4 °F – +95 °F | Ø 185 x 6.2 | Ø 195 x 16.2 | Loox 24 V |
| 833.75.101 | 4000 K | | | | | |
| 833.77.130 | 3000 K | | | Ø 180 x 6.2 | Ø 190 x 16.2 | |
| 833.77.131 | 4000 K | | | | | |

732.28.268

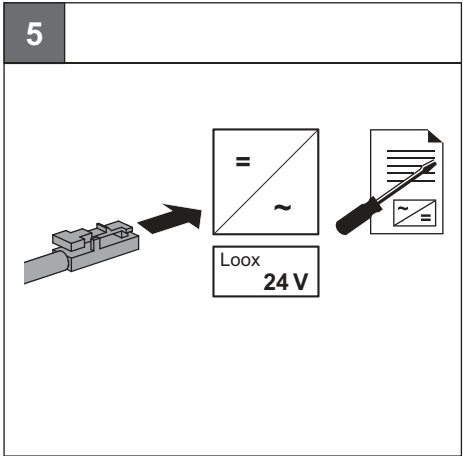
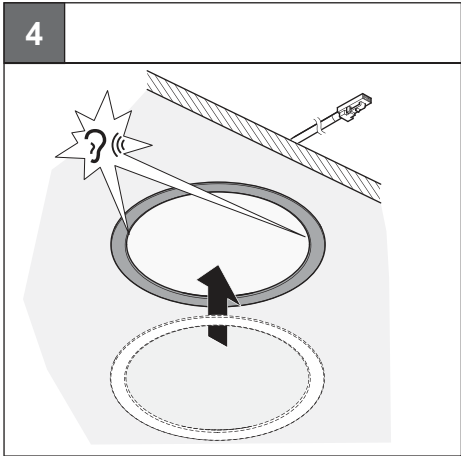


HDE 06/2015





732.26.268



HDE 06/2015